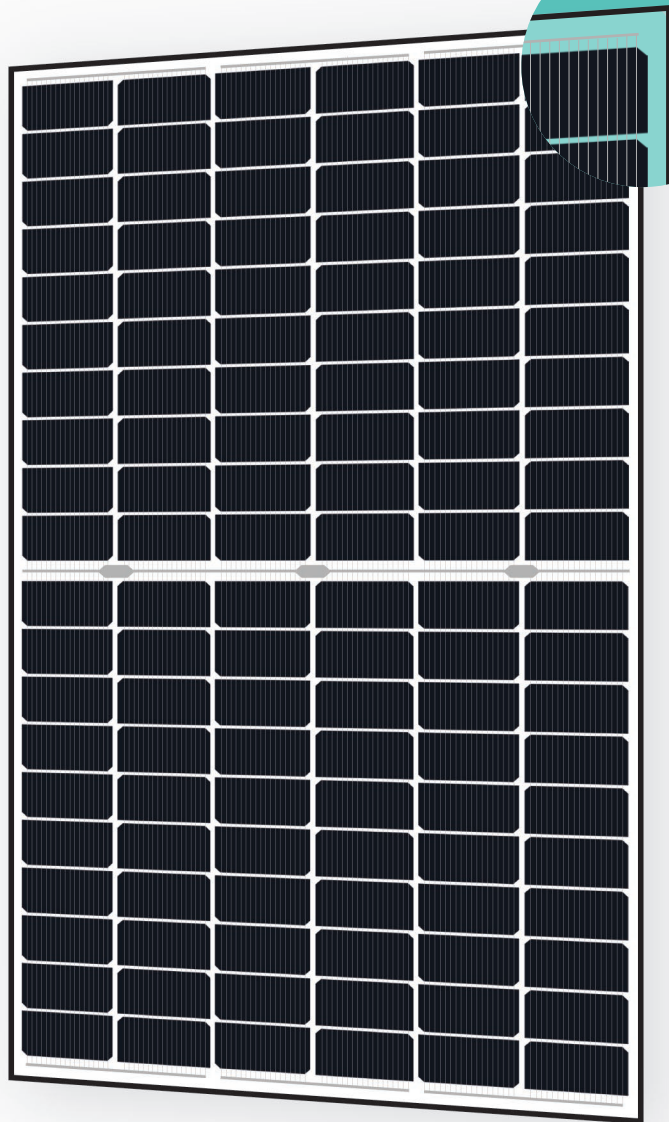


SOLID Framed

120 cell

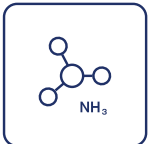
Framed_Glass/Glass_Transparent



Fire class A



Salt mist resistance



Ammonia resistance



Hail resistance class 3



98,8 % recyclable



35% of recycled glass content

Positive sorting up to +5W

Front side ⚡ 505 W



30 Year product warranty

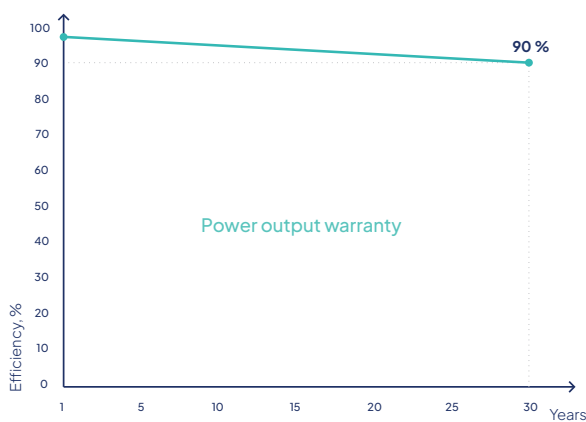
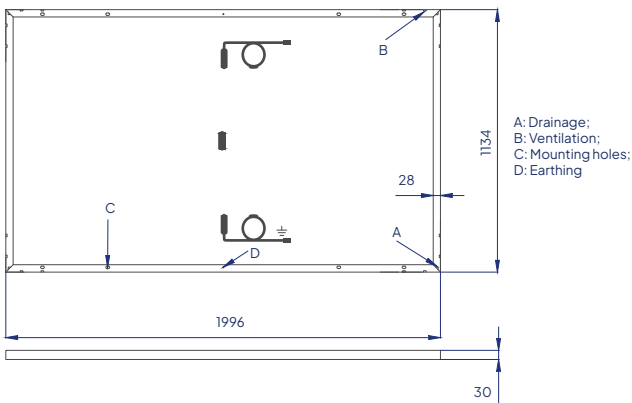
90% Power warranty

30 Year efficiency warranty

Electrical data (STC*)	
Maximum power (W)	505
Cell technology	N type, TOPCon - bifacial
Open circuit voltage (V_{oc}/V)	42,28
Short circuit current (I_{sc}/A)	14,25
Max power voltage (V_{mpp}/V)	36,47
Max power current (I_{mpp}/A)	13,85
Module efficiency (n)	22,31 %
Max system voltage (V)	1500
Max current (A)	25
Power tolerance	0/+5W

*Under standard test conditions (STC) of irradiance of 1000W/sq.m., spectrum AM1.5 and cell temperature of 25°C. Flash testing measurement accuracy of +/-5%.

Warranty	
30 years product warranty	
30 years efficiency warranty	
First year degradation (%)	1%
Annual degradation (%)	0,31%
Power in year 30 (%)	90 %



Temperature ratings	
Current temperature coefficient (α)	+0,045 % / °C
Voltage temperature coefficient (β)	-0,250 % / °C
Power temperature coefficient (δ)	-0,300 % / °C
Nominal operating module temperature	46 °C

Mechanical data	
Dimensions (LxWxH) (mm)	1996x1134x30 mm
Weight (kg)	29
Front glass (mm)	2, with AR coating
Back glass (mm)	2, transparent
Cell Size (mm)	182x95,8
Busbars	18
Cell configuration	6x20
Frame	Black anodized aluminium frame
Rated operating altitude	Up to 2000 m
Operating temperature (°C)	-40 ÷ +85
Maximum test load (wind/snow) (Pa)	3600/8100
Junction box / IP class	Split junction box / IP68
Cable cross section size (mm ²)	4
Cable length	1,2 m
Bypass diodes	3
Connector	MC4-EVO2

Packing information	
Modules per pallet	31 pcs
Dimensions of a pallet (LxWxH)	2045x1205 mm
Weight of a pallet (gross)	963 kg
Pallets per 13,6 m truck	24 pcs
Modules per 13,6 m truck	744 pcs

Certifications	
IEC 61215:2021; IEC 61730:2016	
Cradle to Cradle (C2C)	Gold level
IEC 62716:2013	Ammonia corrosion testing
IEC 61701:2020	Salt mist corrosion testing
IEC 61215-2:2021	29mm hailstone - Hail resistance class 3 (HW3)
ISO 9001:2015	Quality management systems
ISO 14001:2015	Environmental management systems
ISO 45001:2018	Occupational health and safety
SundaHus	A level assessment
Produced using 100% renewable energy	
Membership at Svensk Solenergi	



Product assessed in SundaHus Material Data



PRODUCED USING 100% RENEWABLE ENERGY



This datasheet is not legally binding. The manufacturer reserves the right to make changes to product specifications and / or product features without prior notice. The most recent versions of all documents (T&C's, datasheets, warranties and installation manuals) can always be found on our website at www.solitek.eu

